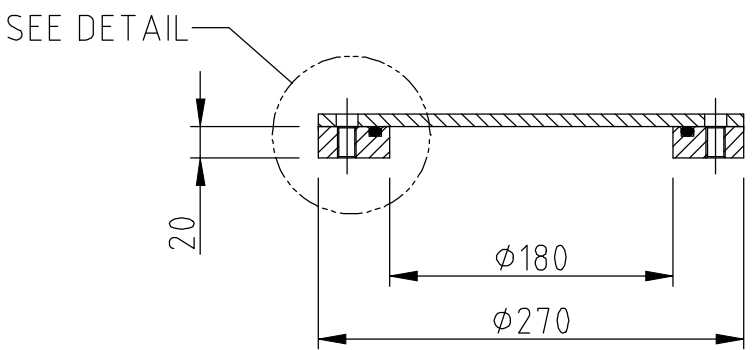
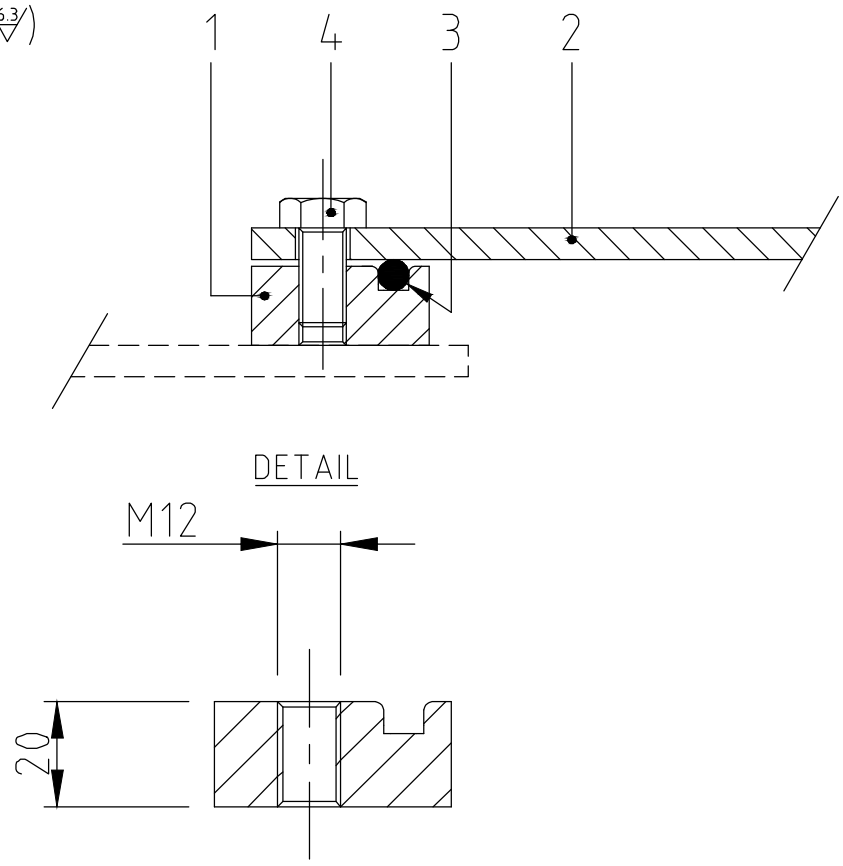


✓ (6/3)



Subject: STEEL HANDHOLE C/O ϕ 160 TYPE C-6 BOLTS					
4	6	Bolt M12x25	Steel 8.8	DIN 933	Hot dipped galv.
3	1	Seal ϕ 8	Nitril		NBR 70° Shore A
2	1	Manhole cover	Steel Grade A		
1	1	Manhole ring	Steel Grade A		
Pos.	Qty.	Description	Material	Type/Drw. No.	Remarks



Schutte Metaal b.v.
 Ampereweg 3 9503 GS Stadskanaal
 telefoon 0599 620644 telfax 0599 617138

Drawingnumber: HH-C-160-6		Rev.:
		-
Format	Drawn : E.S.	
A4	Date : 10-2-2010	
	Scale : 1:5 / 1:2	