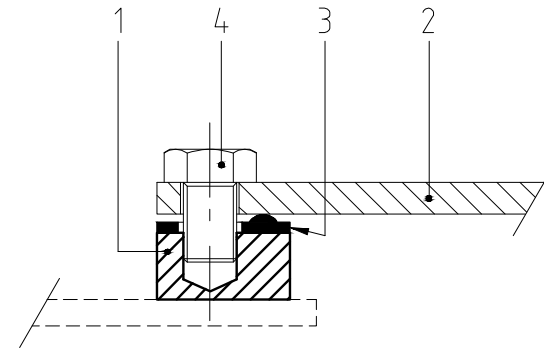
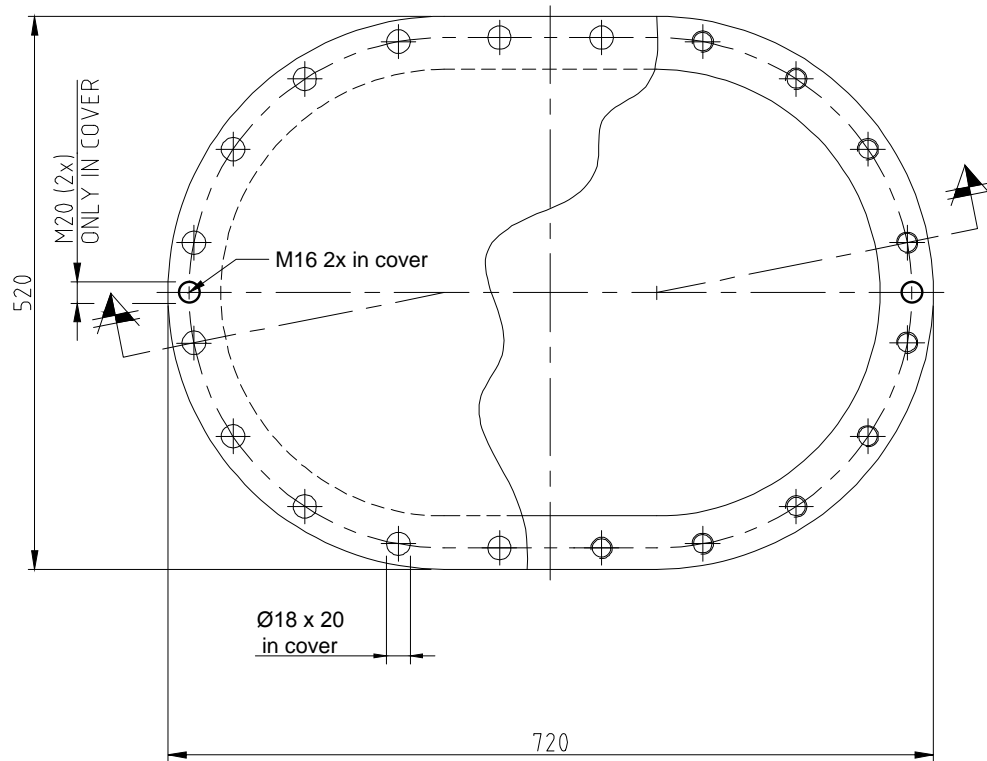
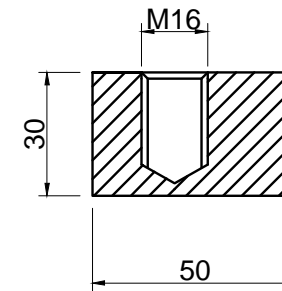


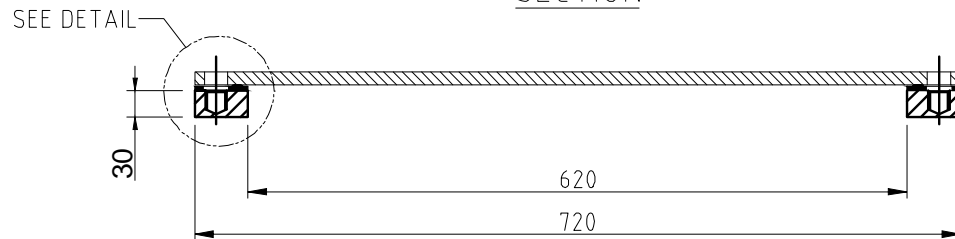
TOP VIEW



DETAIL



SECTION



Subject: STEEL MANHOLE C/O 600x400 TYPE A - OVAL

| 4    | 20   | Bolt M16x30   | Steel 8.8     | DIN 933       | Hot dipped galv. |
|------|------|---------------|---------------|---------------|------------------|
| 3    | 1    | Seal          | Nitril        | DIN 83403-A   | 65±5° Shore A    |
| 2    | 1    | Manhole cover | Steel Grade A |               |                  |
| 1    | 1    | Manhole ring  | Steel Grade A |               |                  |
| Pos. | Qty. | Description   | Material      | Type/Drw. No. | Remarks          |



Schutte Metaal b.v.

Ampereweg 3 9503 GS Stadskanaal  
telefoon 0599 620644 telfax 0599 617138

MH-A-600X400-20  
-50-30

Rev.  
-

Format

A4

Drawn : E.S.

Date : 12-2-2010

Scale : 1:5 / 1:2