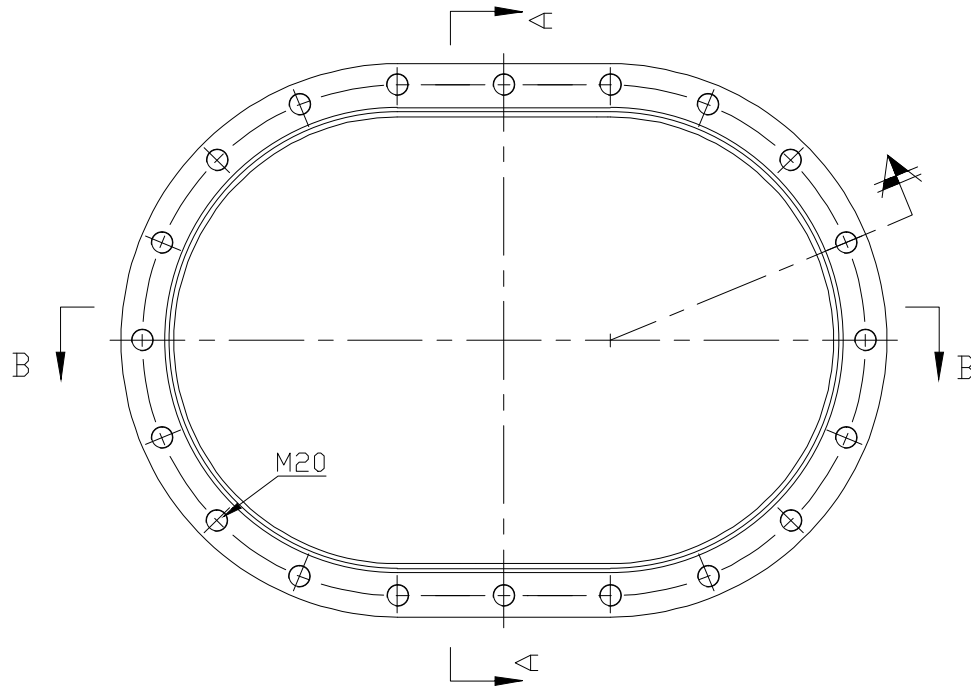
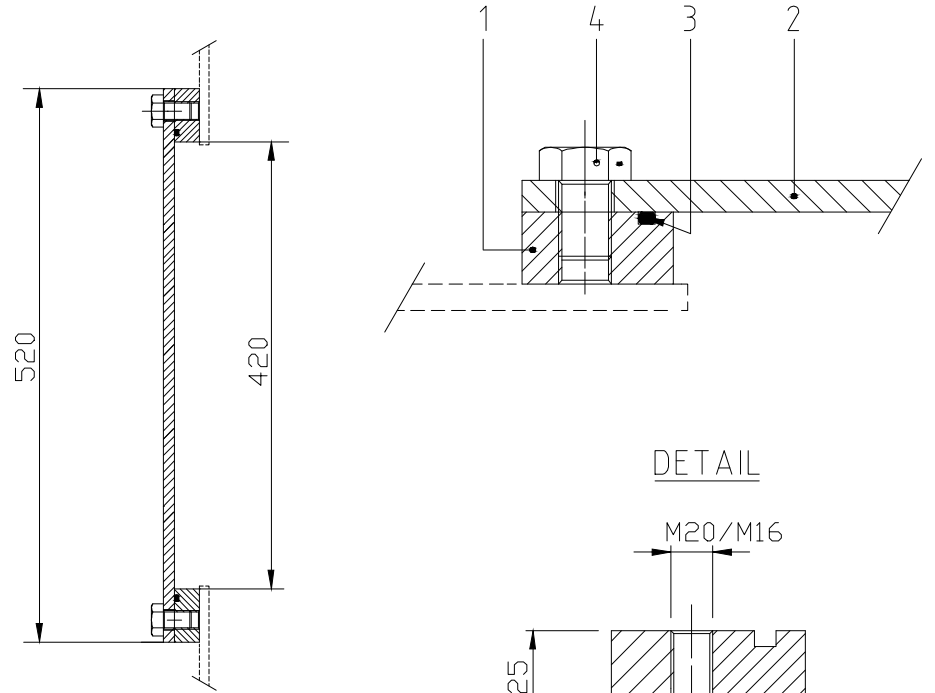


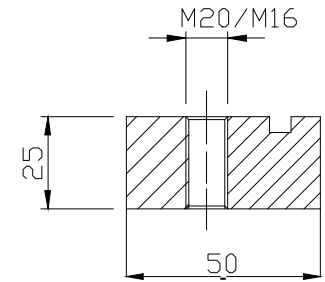
TOP VIEW



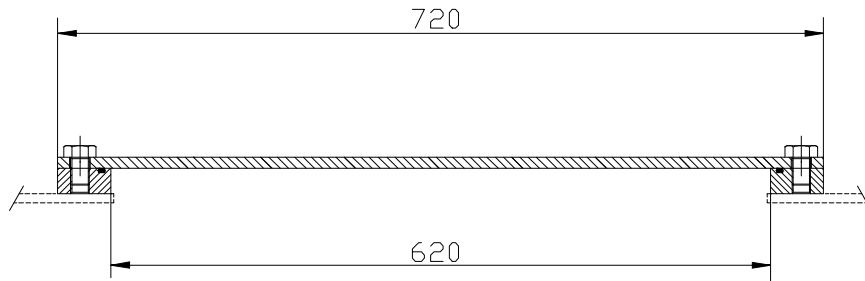
SECTION A-A



DETAIL



SECTION B-B



Pos.	Qty.	Description	Material	Type/Drw. No.	Remarks
Subject: STEEL MANHOLE C/O 600x400 TYPE A - OVAL □-RING					
4	20	Bolt M20x25	Steel 8.8	DIN 933	Hot dipped galv.
3	1	□-ring 8mm	neoprene		
2	1	Manhole cover	Steel Grade A		
1	1	Manhole ring	Steel Grade A		



Schutte Metaal b.v.

Ampereweg 3 9503 GS Stadskanaal
telefoon 0599 620644 telFax 0599 617138

MH-A-600X400-20

Rev.

-

Format

A4

Drawn : E.S.

Date : 12-2-2010

Scale : 1:5 / 1:2