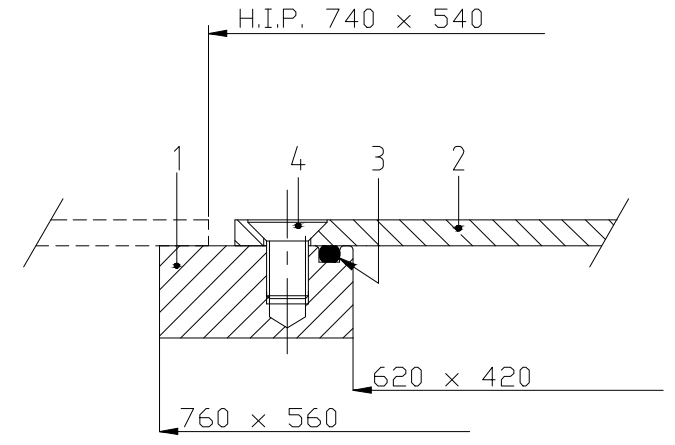
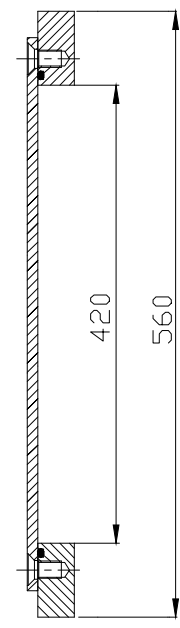
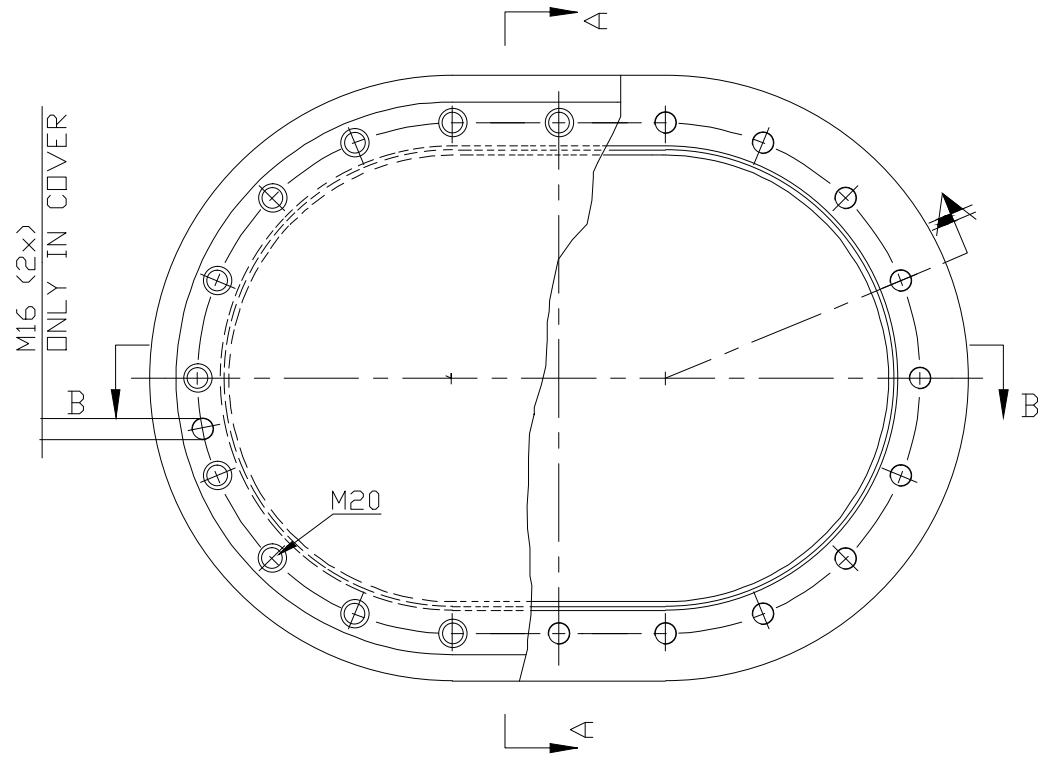
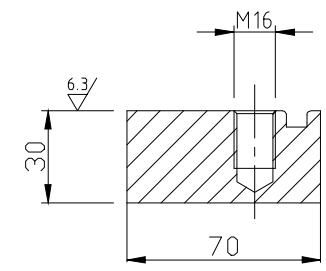


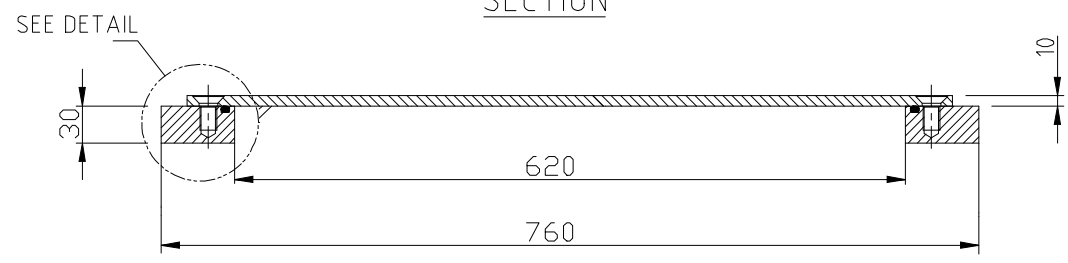
TOP VIEW




DETAIL



SECTION



Subject: STEEL MANHOLE C/O 600x400 TYPE B - OVAL □-RING					
4	20	Bolt M20x25	Steel 8.8		Hot dipped galv.
3	1	□-ring 8mm	neoprene		
2	1	Manhole cover	Steel Grade A		
1	1	Manhole ring	Steel Grade A		
Pos.	Qty.	Description	Material	Type/Drw. No.	Remarks
 Schutte Metaal b.v. Ampereweg 3 9503 GS Stadskanaal telefoon 0599 620644 telFax 0599 617138			MH-B-600X400-20 □-RING FLUSH		Rev. -
			Format	Drawn : E.S.	
			A4	Date : 12-2-2010	
			Scale : 1:5 / 1:2		