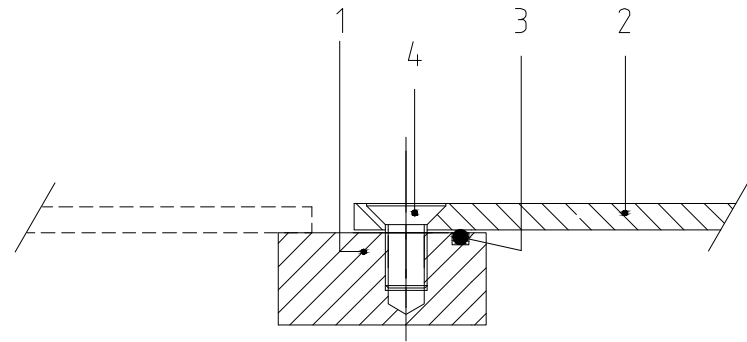
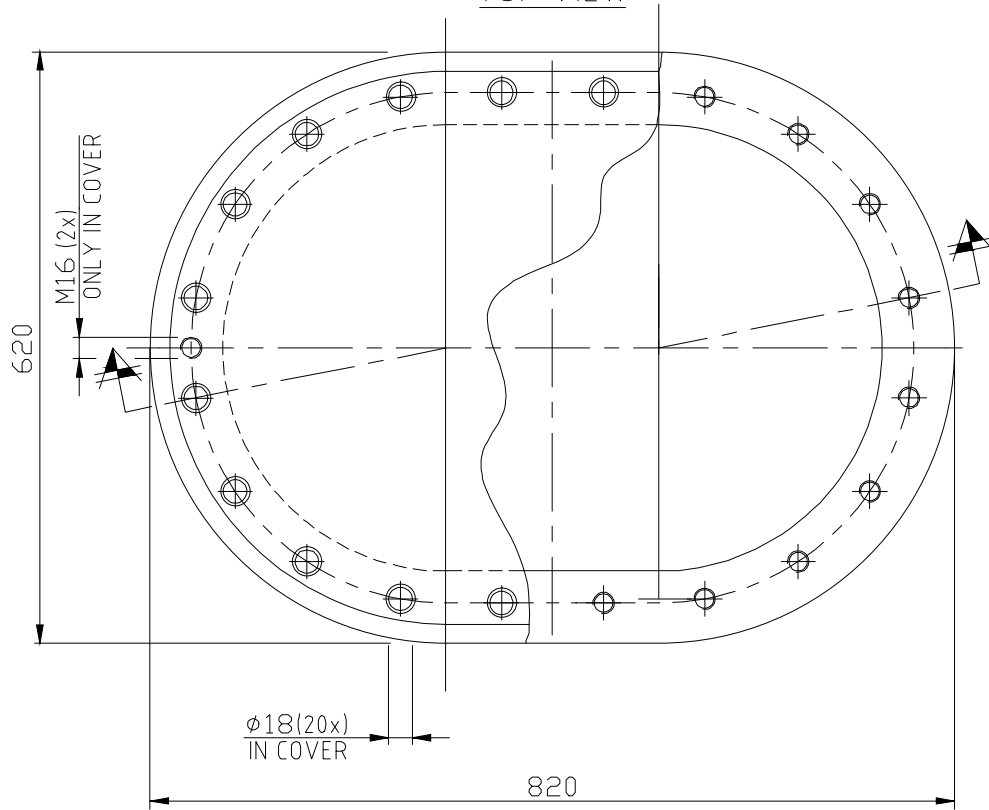
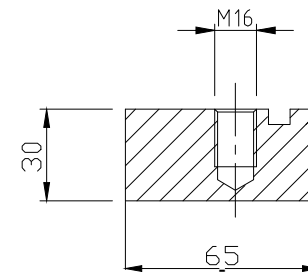


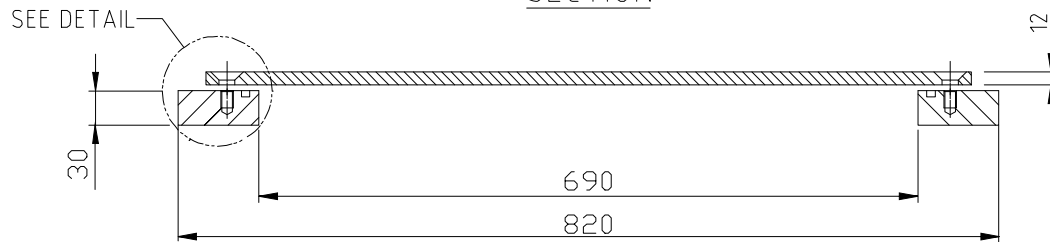
TOP VIEW



DETAIL



SECTION



Subject: STEEL MANHOLE C/O 690 X 490 TYPE B - OVAL FLUSH					
4	20	Bolt M16x30	Steel 8.8	DIN 7991	Hot dipped galv.
3	1	o-ring			
2	1	Manhole cover	Steel Grade A		
1	1	Manhole ring	Steel Grade A		
Pos.	Qty.	Description	Material	Type/Drw. No.	Remarks



Schutte Metaal b.v.

Anperweg 3 9503 GS Stadskanaal
telefoon 0599 620644 telefax 0599 617138

MH-B-800X600-20

Rev.

-

Format

A4

Drawn : E.S.

Date : 12-2-2010

Scale : 1:5 / 1:2