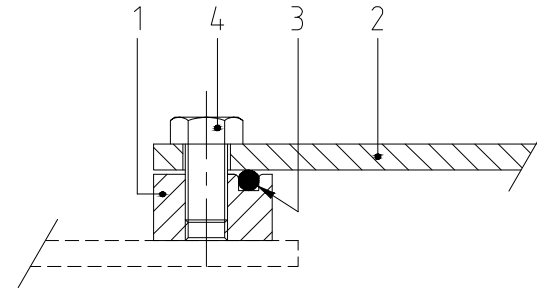
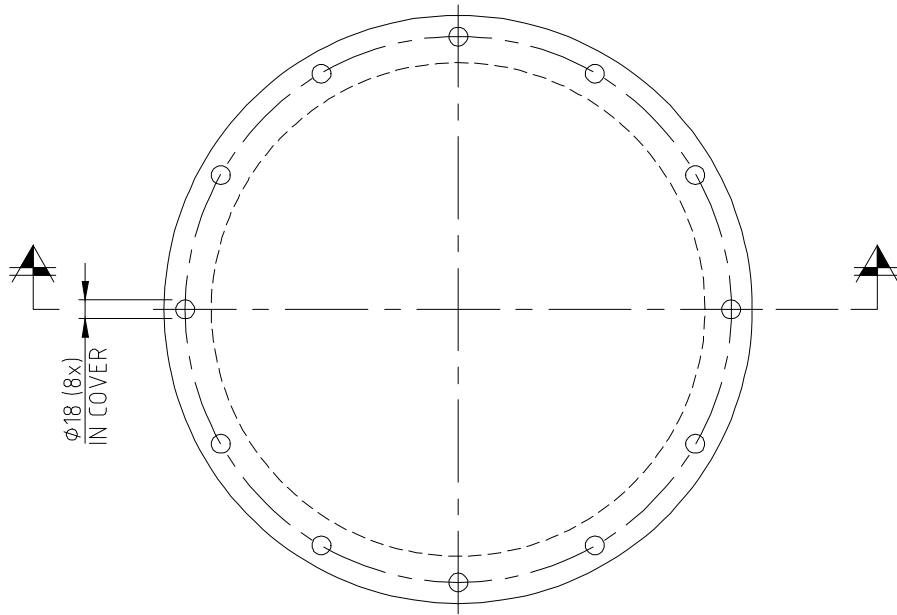
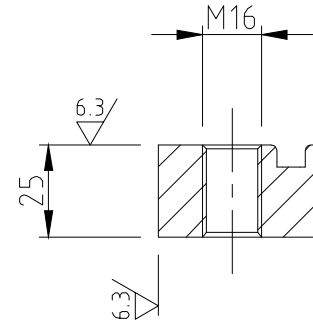


TOP VIEW

✓ (6.3/)

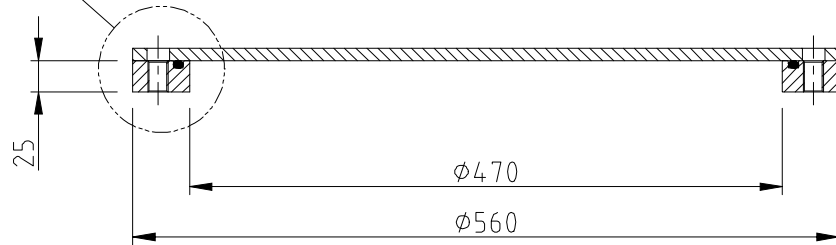


DETAIL



SECTION

SEE DETAIL



| Subject: STEEL MANHOLE C/O ϕ 450 TYPE C - 12 BOLTS | | | | | |
|---|------|---------------|---------------|---------------|------------------|
| 4 | 8 | Bolt M16x30 | Steel 8.8 | DIN 933 | Hot dipped galv. |
| 3 | 1 | Seal ϕ 8 | Nitril | | NBR 70° Shore A |
| 2 | 1 | Manhole cover | Steel Grade A | | |
| 1 | 1 | Manhole ring | Steel Grade A | | |
| Pos. | Qty. | Description | Material | Type/Drw. No. | Remarks |



Schutte Metaal b.v.

Ampereweg 3 9503 GS Stadskanaal
telefoon 0599 620644 telfax 0599 617138

Drawingnumber: MH-C-450-12 Rev. -

Format A4,
Drawn : E.S.
Date : 10-2-2010
Scale : 1:5 / 1:2