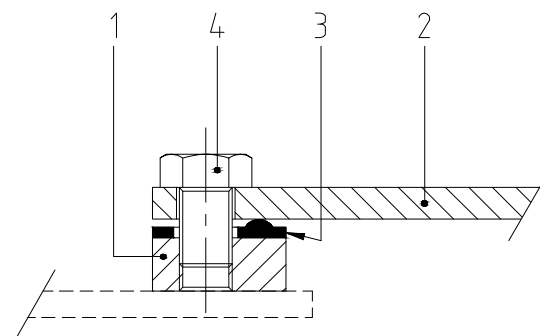
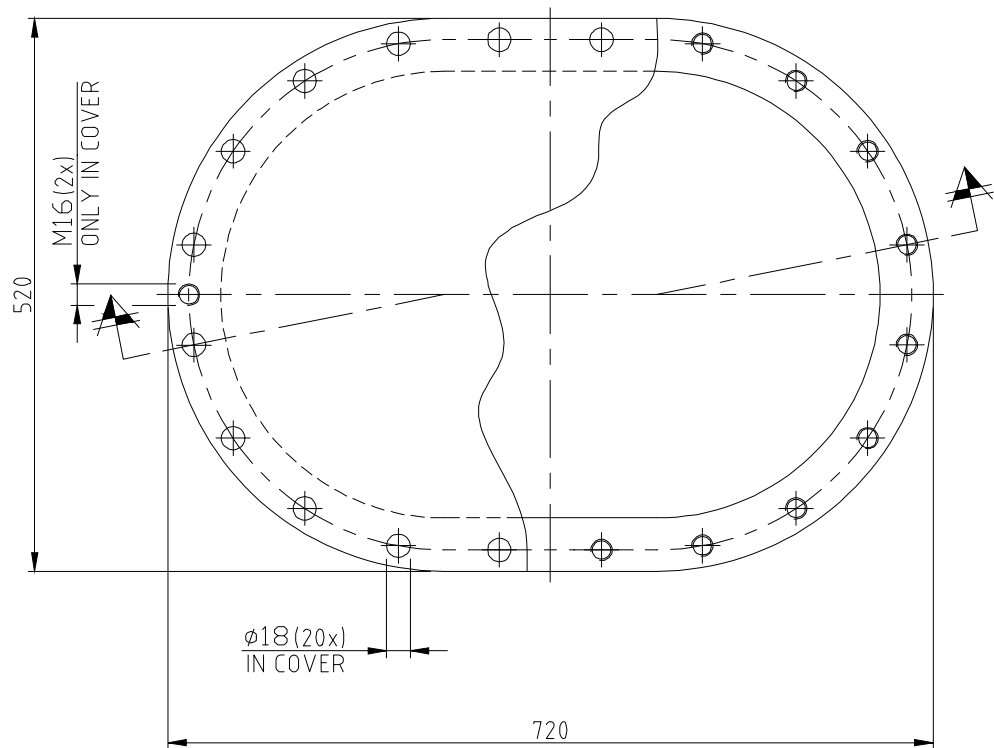
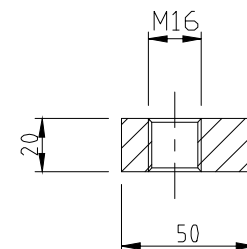


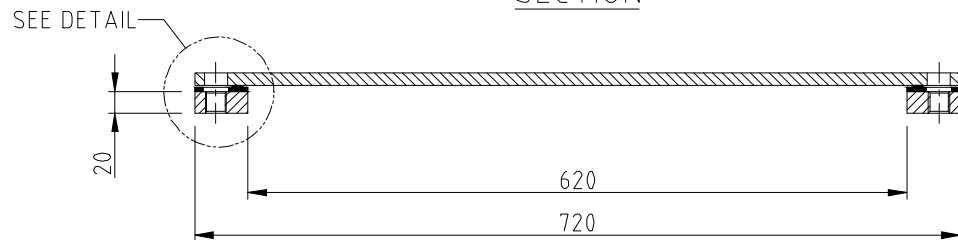
TOP VIEW




DETAIL



SECTION



| Subject: STEEL MANHOLE C/O 600x400 TYPE C - OVAL | | | | | |
|---|------|---------------|------------------------|-------------------|------------------|
| 4 | 20 | Bolt M20x30 | Steel 8.8 | DIN 933 | Hot dipped galv. |
| 3 | 1 | Seal | Nitril | DIN 83403-A | 65±5° Shore A |
| 2 | 1 | Manhole cover | Steel Grade A | | |
| 1 | 1 | Manhole ring | Steel Grade A | | |
| Pos. | Qty. | Description | Material | Type/Drw. No. | Remarks |
|  Schutte Metaal b.v. Ampereweg 3 9503 GS Stadskanaal telefoon 0599 620644 tel/fax 0599 617138 | | | MH-C-600X400-20 M16 | | Rev. - |
| | | | Format | Drawn : E.S. | |
| | | | A4 | Date : 12-2-2010 | |
| | | | | Scale : 1:5 / 1:2 | |