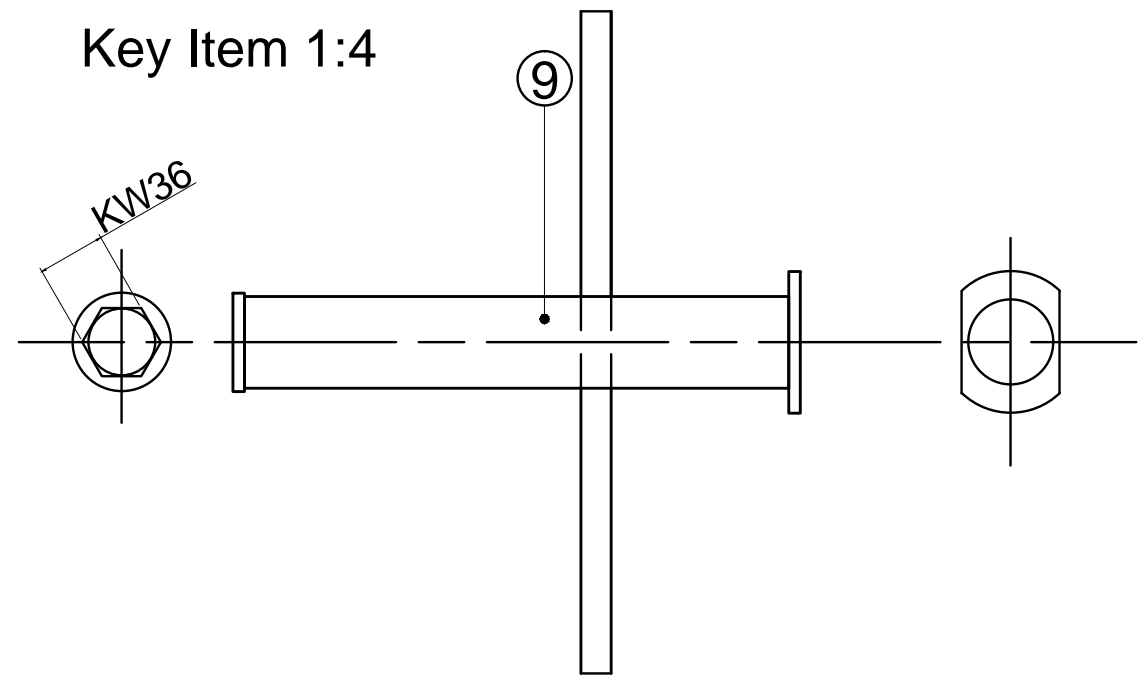
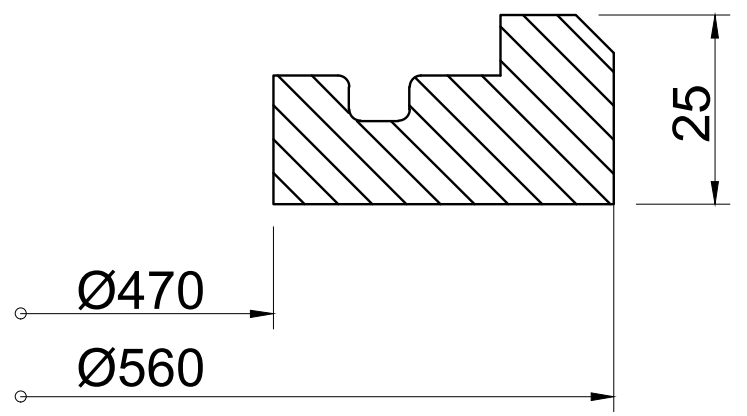
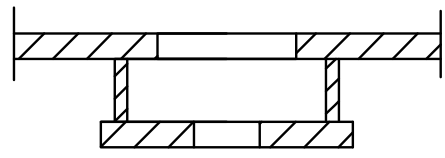
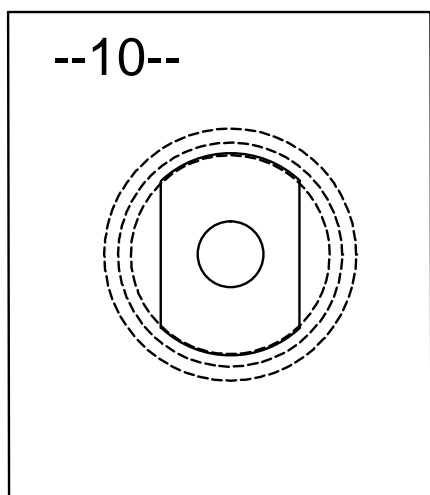
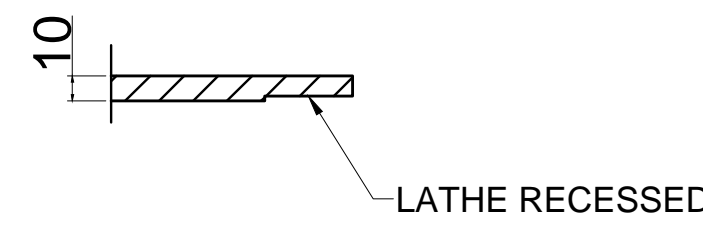


Key Item 1:4



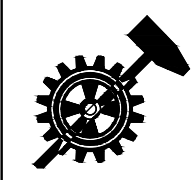
Details 1:3



SUBJECT: STEEL MANHOLE C/O Ø470 TYPE CC FLUSH

9	1	KEY	ST.	
8	2	STRAP	Steel grade A	
7	1	O RING Ø 8MM	NEOPR.	OIL AND SEAW. RES.
6	1	RING Ø44 x 26 x5	ST.	
5	1	PACKING R. Ø44 x 26 x 5	NEOPR.	NBR 70 ±5° SHORE A
4	1	NYLOC NUT M24	INOX 316/A4	DIN 985
3	1	BOLT M24 x170	INOX 316/A4	DIN 933
2	1	RING	Steel grade A	
1	1	COVER	Steel grade A	

Pos.	Qty.	Description	Material	Remarks
------	------	-------------	----------	---------



Schutte Metaal b.v.
 Ampereweg 3 9503 GS Stadskanaal
 telefoon 0599 620644 telfax 0599 617138

Drawingnumber:		Rev
MH-CC-470-2-FL		—
Format	Drawn : S.R.	
A3	Date : 7-4-2014	
Scale: 1:(1)/3/4/5		