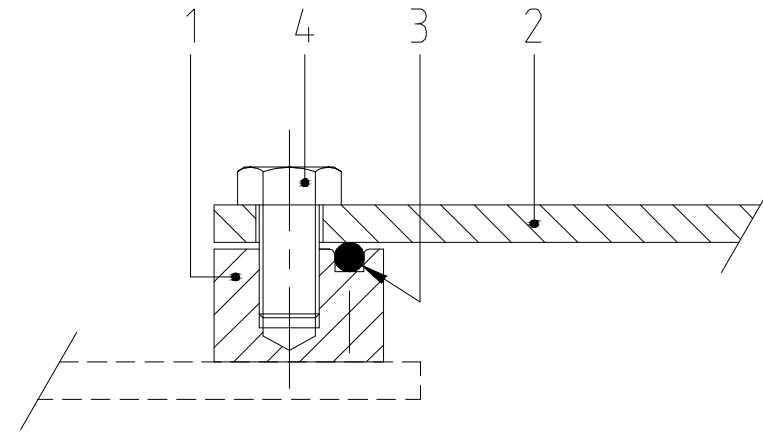
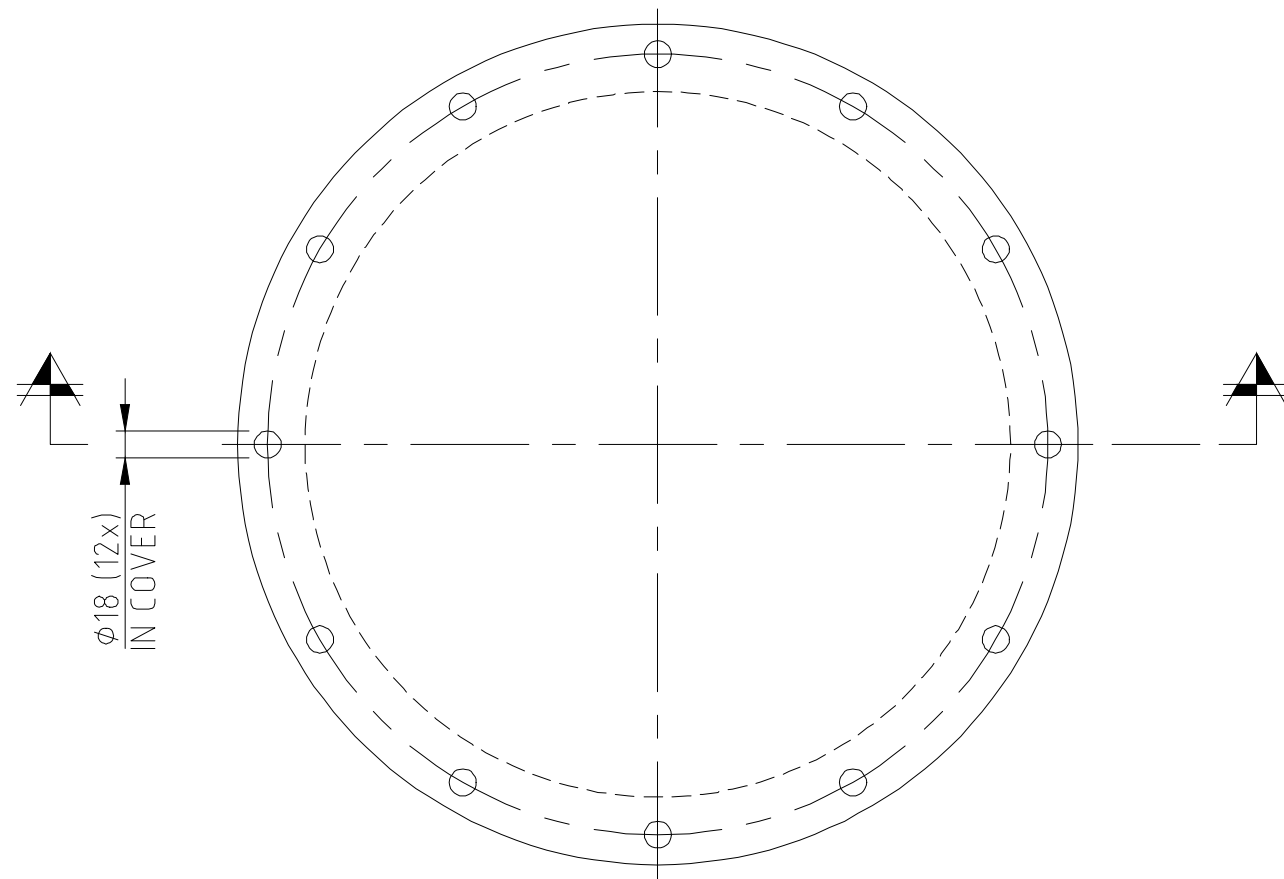
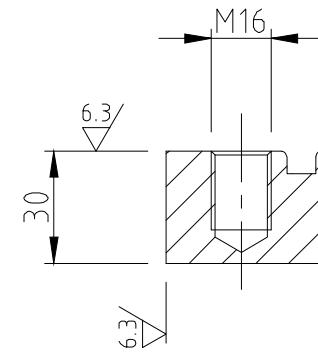


TOP VIEW

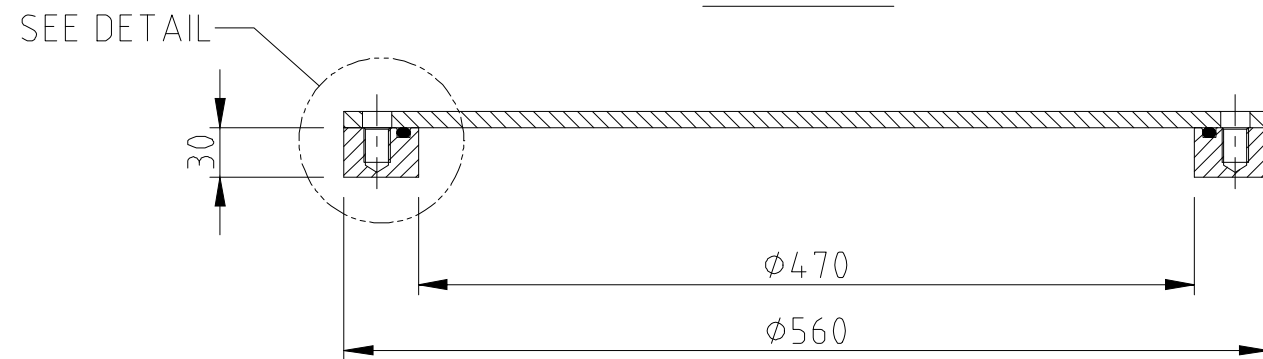
√ (6.3)



DETAIL

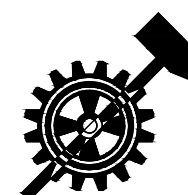


SECTION



Subject: STEEL MANHOLE C/O $\phi 450$ TYPE D - 12 BOLTS

Pos.	Qty.	Description	Material	Type/Drw. No.	Remarks
4	12	Bolt M16x30	Steel 8.8	DIN 933	Hot dipped galv.
3	1	Seal $\phi 8$	Nitril		NBR 70° Shore A
2	1	Manhole cover	Steel Grade A		
1	1	Manhole ring	Steel Grade A		



Schutte Metaal b.v.

Ampereweg 3 9503 GS Stadskanaal
telefoon 0599 620644 telfax 0599 617138

Drawingnumber: MH-D-450-12 Rev. -

Format A3
Drawn : E.S.
Date : 10-2-2010
Scale : 1:5 / 1:2