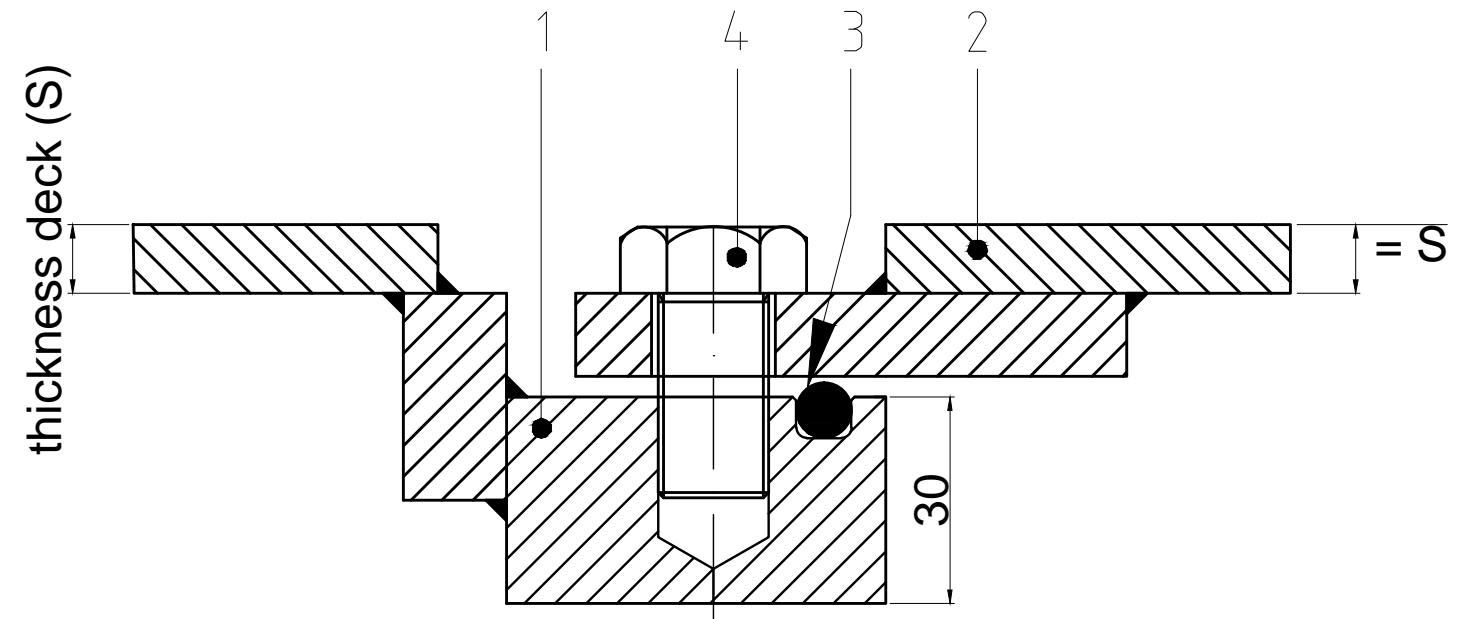
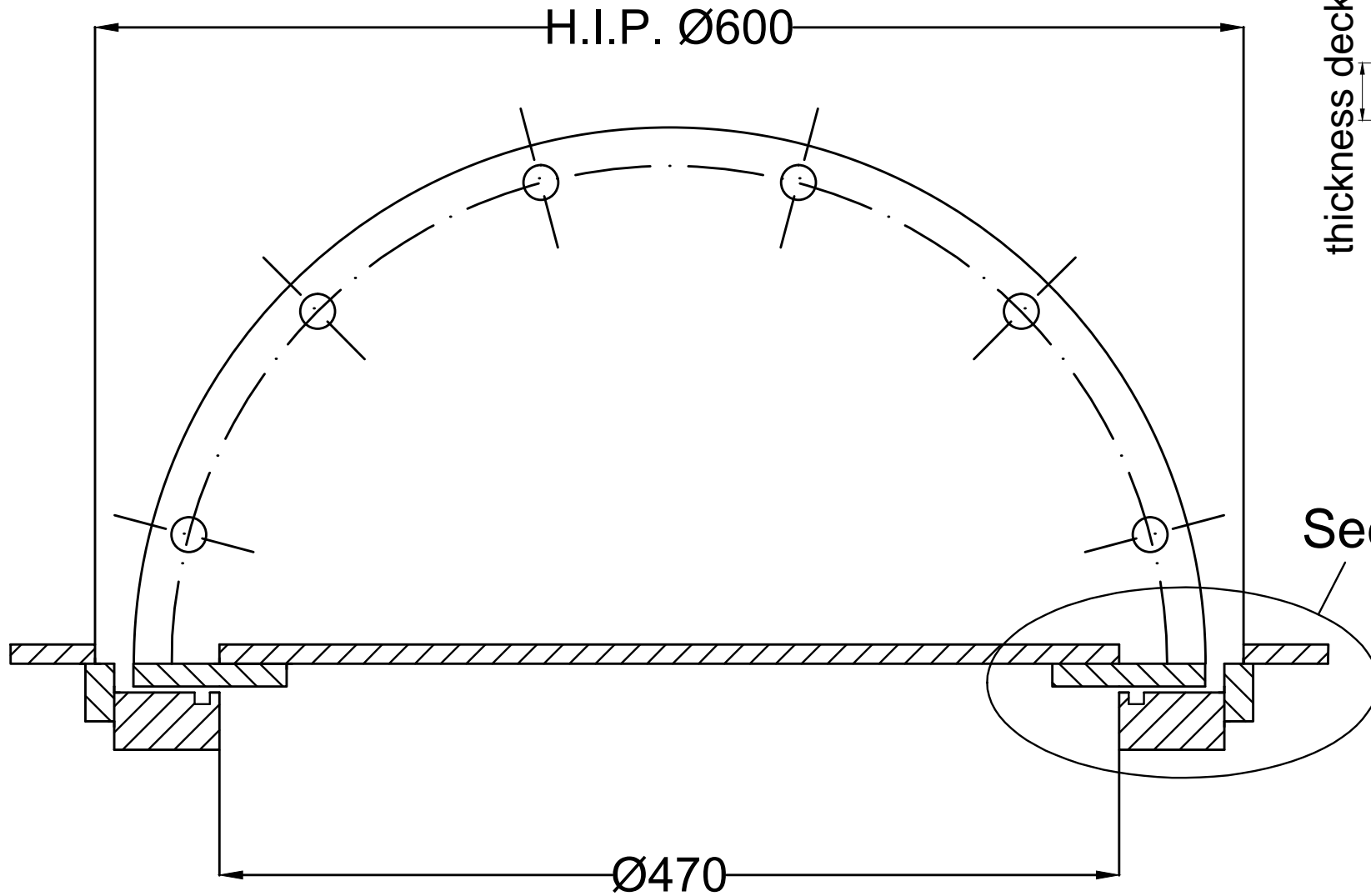
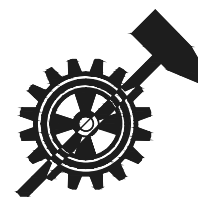


Detail



Subject: STEEL MANHOLE C/O Ø 450 TYPE FLUSH with extra cover thickening

Pos.	Qty.	Description	Material	Type/Drw. No.	Remarks
4		Bolt M16x30	Steel 8.8	DIN 7991	Hot dipped galv.
3	1	Seal Ø8	Nitril		NBR 70° Shore A
2	1	Manhole cover	Steel Grade A		
1	1	Manhole ring	Steel Grade A		



Schutte Metaal b.v.

Ampereweg 3 9503 GS Stadskanaal
telefoon 0599 620644 telfax 0599 617138

Drawingnumber:		Rev
MH-450-VERD.		-
Format	Drawn : E.S.	
A3	Date : 10-2-2010	
	Scale : 1:5 / 1:2	