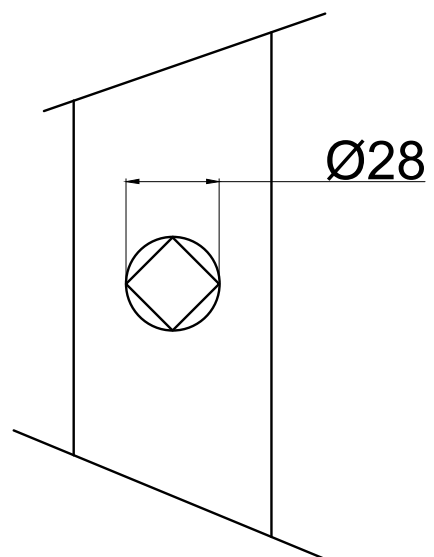
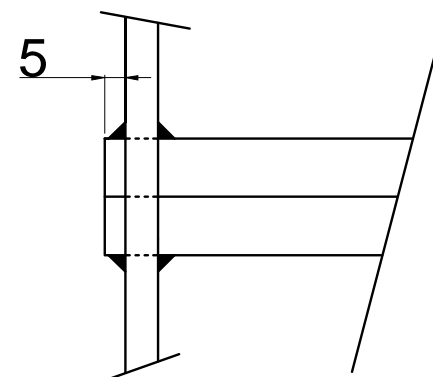


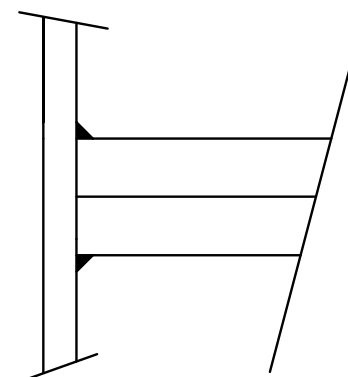
Detail A



Detail B

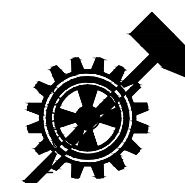


Detail C



Subject: **STEPLADDER TYPE 1 -TYPE 2, STANDARD L. 6000MM
OTHER LENGTH ON REQUEST**

TYPE 1&2		TYPE 1		TYPE 2		TYPE 1&2		
2	2	Stringer 60x8	ST 37-2	Stringer 60x10	ST 37-2	Conservation options:		
1	18	Step 20x20x426	ST 37-2	Step 20x20x400	ST 37-2	non-treated (Black)	shot-blasted with 2-component shopprimer	Galvanized
Pos.	Qty.	Description	Material	Description	Material			



Schutte Metaal b.v.
Ampereweg 3 9503 GS Stadskanaal
telefoon 0599 620644 telfax 0599 617138

Drawingnumber: SL-1-2-6000 Rev -
Format: A4
Drawn: S.R.,
Date: 3-4-2014
Scale: