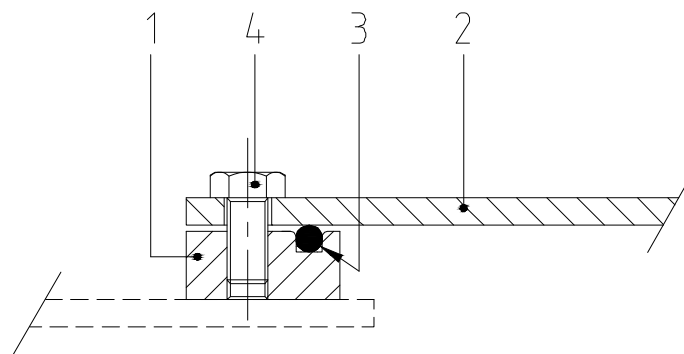
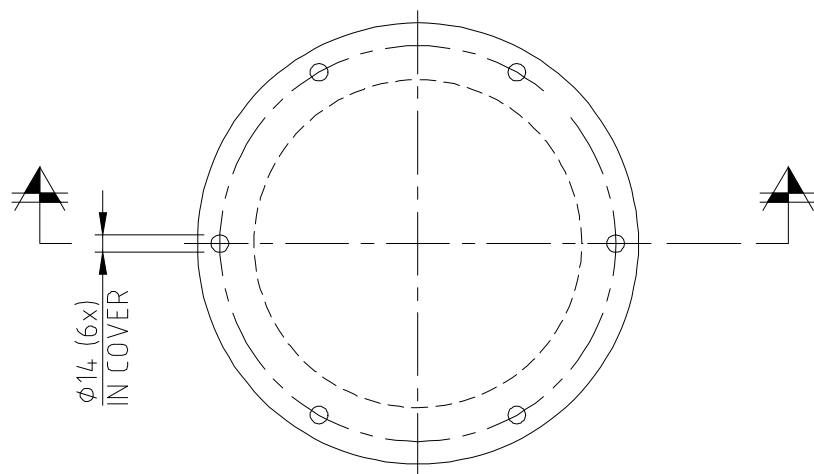
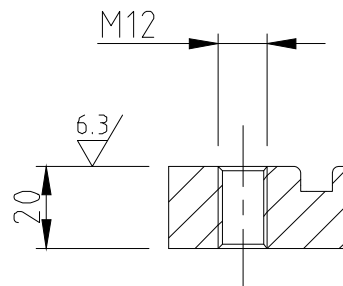


✓ (6.3/)

TOP VIEW

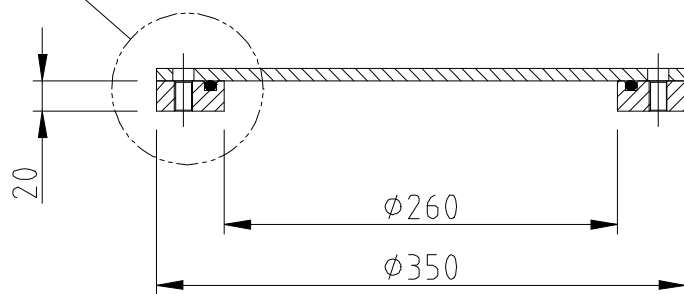



DETAIL



SECTION

SEE DETAIL



Subject: STEEL HANDHOLE C/O $\phi 240$ TYPE C - 6 BOLTS					
4	6	Bolt M12x25	Steel 8.8	DIN 933	Hot dipped galv.
3	1	Seal $\phi 8$	Nitril		NBR 70° Shore A
2	1	Manhole cover	Steel Grade A		
1	1	Manhole ring	Steel Grade A		
Pos.	Qty.	Description	Material	Type/Drw. No.	Remarks
 <b>Schutte Metaal</b> b.v. Ampereweg 3 9503 GS Stadskanaal telefoon 0599 620644 telfax 0599 617138			Drawingnumber: Rev.		
			HH-C-240-6 -		
Format <b>A4</b>			Drawn : E.S.		
			Date : 12-2-2010		
			Scale : 1:5 / 1:2		