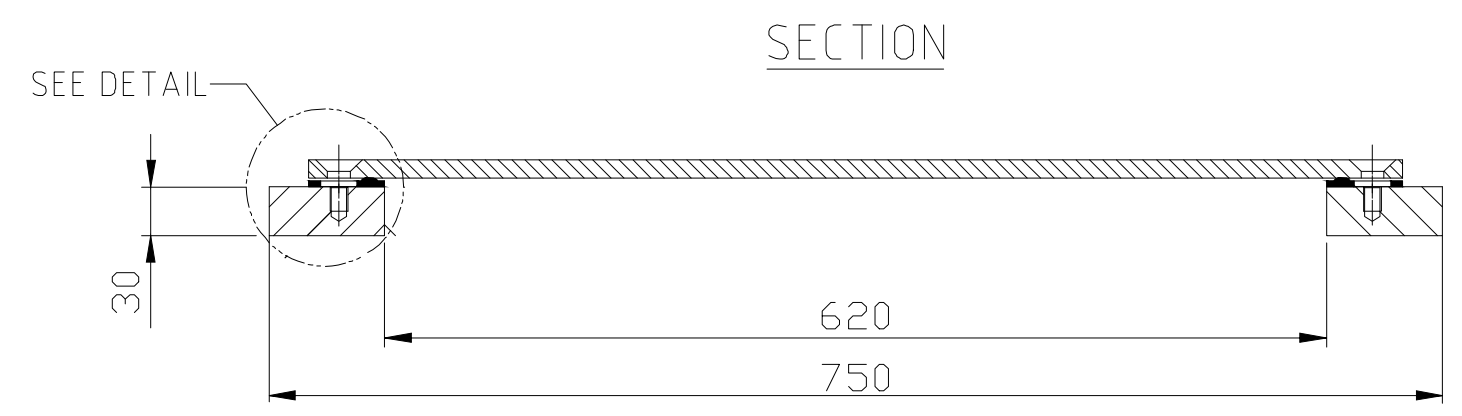
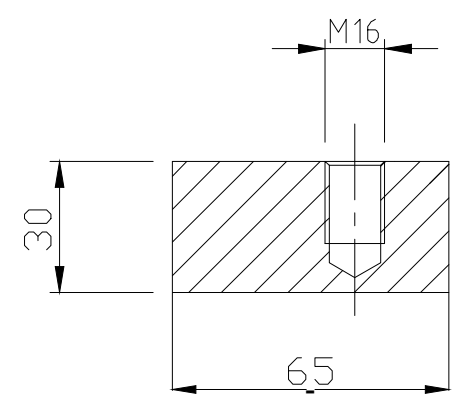
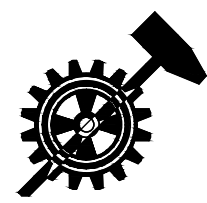


DETAIL



Subject: STEEL MANHOLE C/O 600x400 TYPE B - OVAL

4	20	Bolt M16x30	Steel 8.8	DIN 7991	Hot dipped galv.
3	1	Seal	Nitril	DIN 83403-A	65±5° Shore A
2	1	Manhole cover	Steel Grade A		
1	1	Manhole ring	Steel Grade A		
Pos.	Qty.	Description	Material	Type/Drw. No.	Remarks



Schutte Metaal b.v.

Ampereweg 3 9503 GS Stadskanaal
telefoon 0599 620644 telfax 0599 617138

MH-B-600X400-20

Format A4
 Drawn : E.S.
 Date : 12-2-2010
 Scale : 1:5 / 1:2

Rev.

—