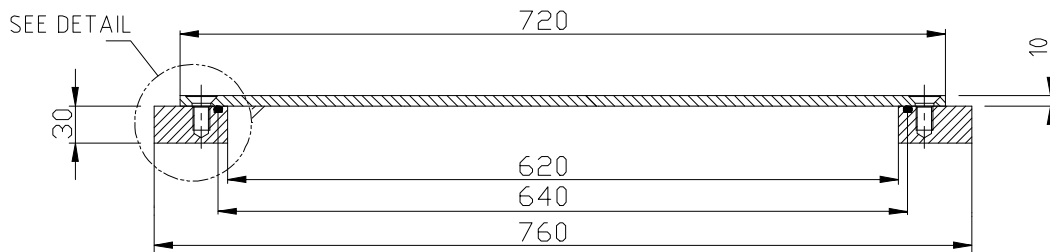
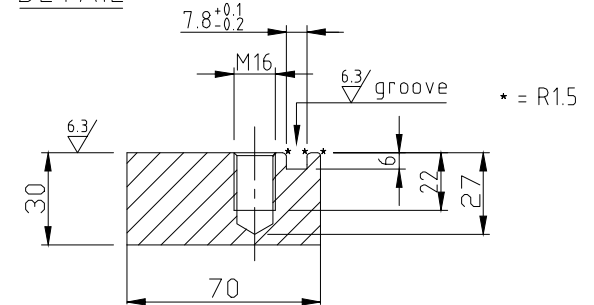


DETAIL



Subject: STEEL MANHOLE C/O 600x400 TYPE B - OVAL □-RING					
4	20	Bolt M16x30	Steel 8.8		Hot dipped galv.
3	1	□-ring 8mm	neoprene		
2	1	Manhole cover	Steel Grade A		
1	1	Manhole ring	Steel Grade A		
Pos.	Qty.	Description	Material	Type/Drw. No.	Remarks
Schutte Metaal b.v.			MH-B-600X400-20		Rev. -
Ampereweg 3 9503 GS Stadskanaal telefoon 0599 620644 tel fax 0599 617138			Format A4		Drawn : E.S.
			Date : 12-2-2010		
			Scale : 1:5 / 1:2		